



DELAVAN
AG PUMPS, INC.

PowerFLO™ Series
12 Volt DC Motor-Driven
Diaphragm Pumps



SprayPower

You Can Depend On.

PowerFLO™ Series 12 Volt DC Motor-Driven Diaphragm Pump Selection

Pump Performance



Pressure		2200			7801			7802			7803			7805		
PSI	Bar	GPM	LPM	Amps	GPM	LPM	Amps	GPM	LPM	Amps	GPM	LPM	Amps	GPM	LPM	Amps
0-3	0.2	1.00	3.7	1.5	—	—	—	—	—	—	—	—	—	—	—	—
10	0.7	0.85	3.2	1.9	1.20	4.6	1.8	2.00	7.6	2.8	3.20	12.2	3.5	5.3	20.1	6.0
20	1.4	0.70	2.7	2.1	0.85	3.2	2.7	1.70	6.5	3.7	2.80	10.6	5.8	4.50	17.1	9.0
30	2.1	0.60	2.3	2.4	0.70	2.7	3.2	1.60	6.1	4.2	2.65	10.1	7.2	4.10	15.6	11.0
40	2.8	0.40	1.5	2.6	0.60	2.0	3.7	1.55	5.9	4.7	2.45	9.3	8.3	3.80	14.4	13.0
50	3.4	—	—	—	0.45	1.7	4.2	1.25	4.8	5.2	2.20	8.4	9.1	3.55	13.5	14.6
60	4.1	—	—	—	0.40	1.5	4.7	1.05	4.0	5.7	2.00	7.6	9.9	3.20	12.12	16.3

Package Dimensions

	2200	7801	7802	7803	7805
W x L x H (approximate – see specifications for complete dimensions)					
inches	4 x 7 x 2.5	4 x 7.5 x 3.6	4 x 8.5 x 3.6	5 x 9 x 4.6	5 x 10 x 4.6
mm	100 x 175 x 65	100 x 190 x 91	100 x 215 x 91	127 x 231 x 116	127 x 254 x 116

Model Configurations

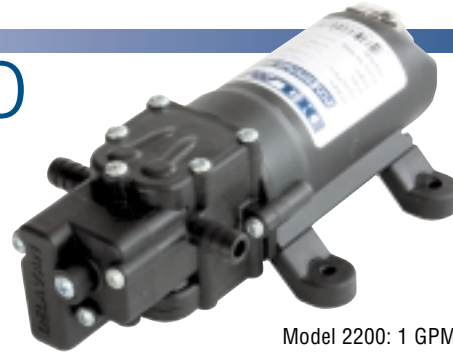
Demand Pumps

12 VDC Motor	Plumbing	2200	7801	7802	7803	7805
Leadwires	3/8" Hose Barb	2200-101	—	—	—	—
Leadwires	Quick Attach	—	7801-101	7802-101	7803-101	7805-101
Leadwires	1/2" NPT (female)	—	—	—	—	7805-102
2-Pin Connector	3/8" Hose Barb	2200-201	—	—	—	—
On/Off Switch & 2-Pin Connector	3/8" Hose Barb	2200-301	—	—	—	—
2-Pin Connector	Quick Attach	—	7801-201	7802-201	7803-201	—
On/Off Switch & 2-Pin Connector	Quick Attach	—	7801-301	7802-301	7803-301	—

Bypass Pumps

12 VDC Motor	Plumbing	2200	7801	7802	7803	7805
Leadwires	Quick Attach	—	7801-111	7802-111	7803-111	7805-111
Leadwires	1/2" NPT (female)	—	—	—	—	7805-112
2-Pin Connector	Quick Attach	—	7801-211	7802-211	7803-211	—
On/Off Switch & 2-Pin Connector	Quick Attach	—	7801-311	7802-311	7803-311	—

PowerFLO™ 2200



Model 2200: 1 GPM (3.7 LPM)

Typical Application:

- Agriculture spraying equipment
- Fluid transfer

Specifications

Motor

Type: 12 VDC, permanent magnet, thermally protected, splashproof

Leads: 14 AWG, 9" long

Duty Cycle: Intermittent

Pump

Type: Positive displacement, self priming, capable of being run dry

Liquid Temperature: 110°F (43°C) Max.

Priming Capabilities: 4 feet (1.2 m) suction lift

Max Pressure: 40 PSI (2.8 bar)

Pressure Demand Switch:

Shut-Off: 40 ±5 PSI (2.8 ±0.3 bar) factory setting

Turn-On: 25 ±5 PSI (1.7 ±0.3 bar) factory setting

Inlet/Outlet Ports: 3/8" hose barb

Materials of Construction

Motor Housing: Nylon 6/6

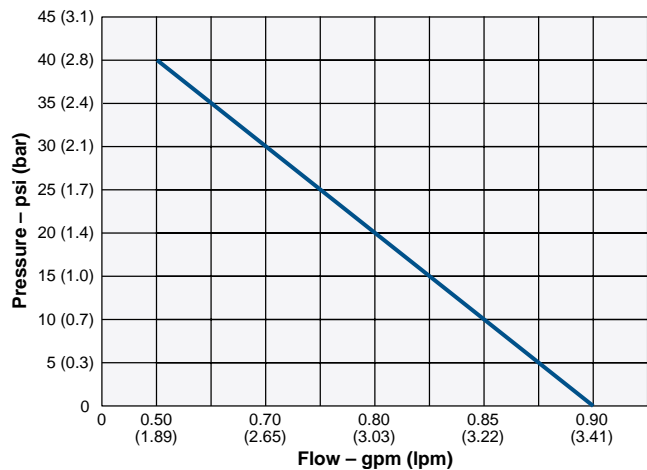
Pump Housing: Polypropylene

Valves: Viton

Diaphragm: Santoprene

Fasteners: Stainless steel and zinc plated

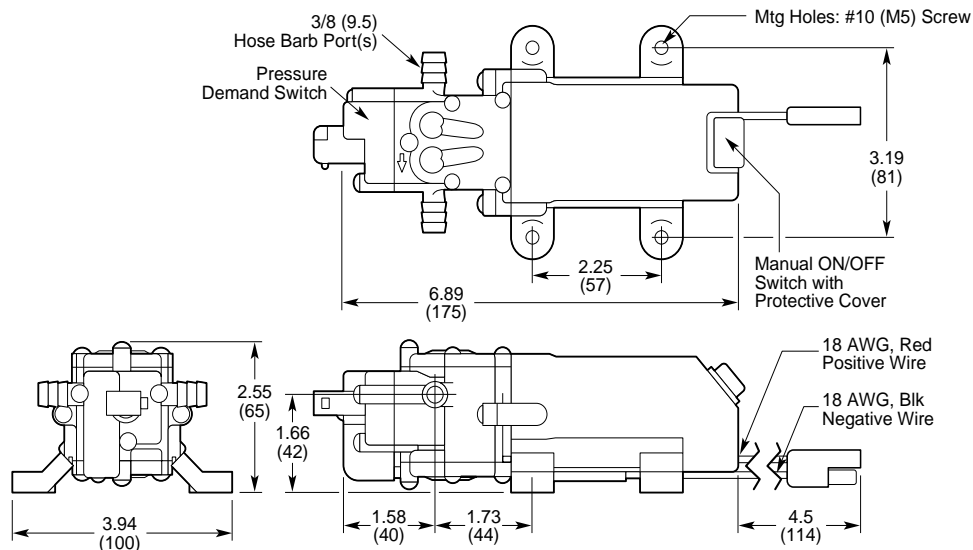
2200 Performance



Dimensions

Weight: 1.25 lbs (0.57 kg)

Inches (mm)



PowerFLO™ 7800

Models:

7801, 7802, 7803 & 7805

Typical Application:

- Agriculture spraying equipment
- Fluid transfer

Performance Advantages:

- Maximum torque and operating efficiency; higher operating pressure and/or lower amperage than competitive pumps
- Long life, no leaks
- Quality components for extreme performance
- Greater mounting flexibility



Model 7801
1.2 GPM (4.6 LPM)

Model 7802
2.0 GPM (7.6 LPM)

Model 7803
3.2 GPM (12.2 LPM)

Model 7805
5.3 GPM (20.1 LPM)

Specifications

Motor

Type: 12 VDC, permanent magnet, totally enclosed, non-ventilated

Leads: 14 AWG, 12" long

Duty Cycle: See Heat Rise graph

Temperature Limits: Motor is not equipped with thermal protection.

For user safety, optimal performance, and maximum motor life, the motor surface temperature should not exceed

150°F (66°C) 7801 & 7802; 180°F (82°C) 7803 & 7805.
(See Heat Rise graphs).

Pump

Type: self priming, capable of being run dry

7801 & 7802: 3 chamber diaphragm pump

7803 & 7805: 5 chamber diaphragm pump

Certifications: NSF Standard 58

Liquid Temperature: 140°F (60°C) Max.

Priming Capabilities: 14 feet (4 m)

Max Pressure: 100 PSI (4.1 bar)

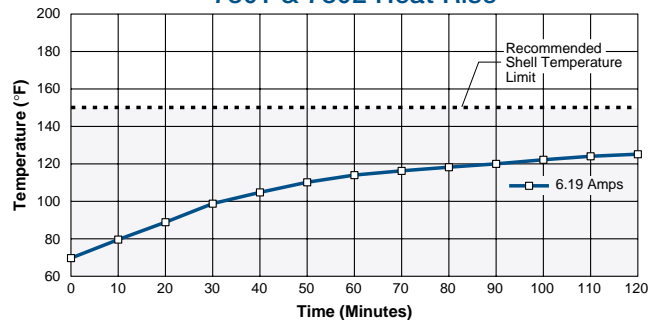
Inlet/Outlet Ports:

(See Fittings selection chart next page)

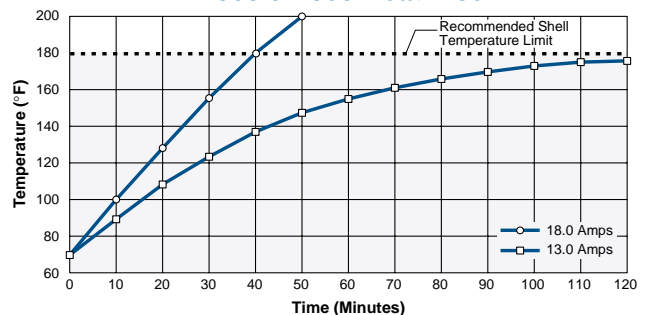
7801 & 7802: 3/8" or 1/2" Quick Attach Hose Barb (Straight or Elbow); 1/2" Quick Attach NPT (male)

7803 & 7805: 3/8", 1/2", 5/8", 3/4" Quick Attach Hose Barb (Straight or Elbow); 1/2" NPT (female) - 7805 only

7801 & 7802 Heat Rise



7803 & 7805 Heat Rise



Approximate values, actual values will vary with ambient temperature.

Materials of Construction

- Housings:** Polypropylene
- Valves:** Viton
- Diaphragm:** Santoprene
- Fasteners:** Stainless steel

Weight

- 7801, 7802, 7803:** 6 lbs (2.7 kg)
- 7805:** 8 lbs (3.6 kg)

**Quick Attach Nylon
Inlet/Outlet Port Fittings
For Models 7801 & 7802**

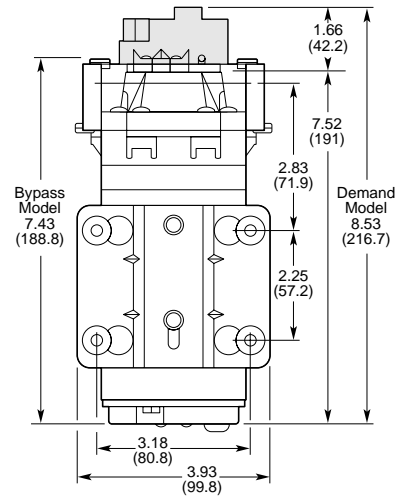
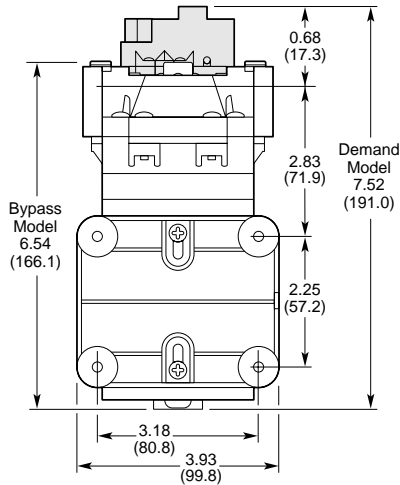
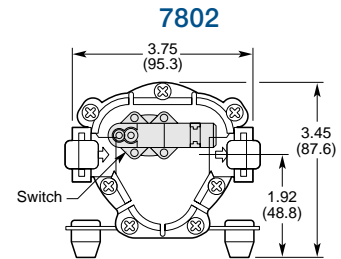
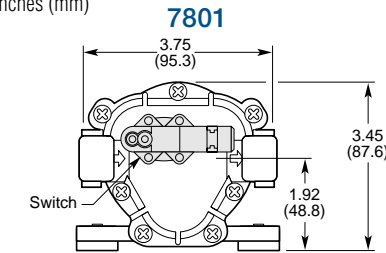
Description	Part Number
3/8" Straight Hose Barb	3DFA38
3/8" Elbow Hose Barb	3DFE38
1/2" Straight Hose Barb	3DFA12
1/2" Elbow Hose Barb	3DFE12
1/2" Quick Attach x 1/2"	
Male NPT	3DFM12

For Models 7803 & 7805

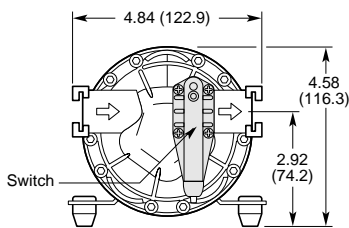
Description	Part Number
3/8" Straight Hose Barb	5DFA38
3/8" Elbow Hose Barb	5DFE38
1/2" Straight Hose Barb	5DFA12
1/2" Elbow Hose Barb	5DFE12
5/8" Straight Hose Barb	5DFA58
5/8" Elbow Hose Barb	5DFE58
3/4" Straight Hose Barb	5DFA34
3/4" Elbow Hose Barb	5DFE34

Dimensions

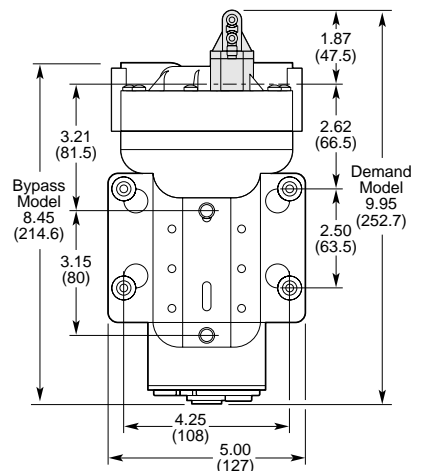
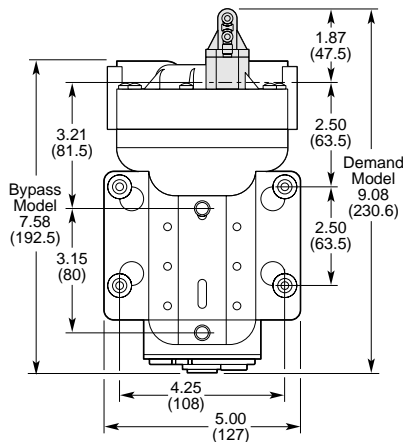
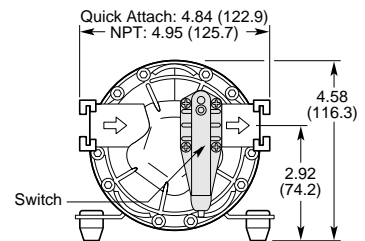
Inches (mm)



7803



7805



No-Hassle Warranty

Delavan warrants PowerFLO Series Pumps for a period of one year from date of manufacture. Register your PowerFLO pump on our website with proof of purchase, and your warranty is extended to one year from date of purchase, (not to exceed two years in any event).

All products sold by Delavan are warranted only to purchasers from Delavan for resale or for use in purchasers' own business or original equipment manufacture, against defects in workmanship or materials under normal use, maintenance and service (rental use excluded).

The sole and exclusive obligation of Delavan under this or any implied warranty shall be to replace or, at its option, to repair, without charge, any product which is determined by Delavan to be defective in workmanship or materials after the product is returned to the Delavan factory, shipping costs prepaid.

In no event shall Delavan be liable to any person for indirect or consequential damages or for injury or commercial loss resulting from any use or inability to use any Delavan product. Delavan expressly negates any other warranty, express or implied, including any warranty of merchantability or fitness for a particular purpose, or arising from any course of dealing or custom or usage of trade.

No person, including any dealer or representative of Delavan, is authorized to make any representation or warranty on behalf of Delavan in addition to or inconsistent with these provisions. Purchasers to whom these provisions apply agree to hold Delavan harmless from claims by their customers in excess of the obligations of Delavan expressly set forth herein.

Returns

Delavan's "No Hassle Warranty" puts you back in the field sooner! If your PowerFlo pump fails during the warranty period, simply return the pump to your dealer, who will replace the pump for you.

Important:

Whether you are returning your pump for warranty or for repair, you must do the following:

1. Flush chemical residue from the pump (best done in the field).
2. Tag pump with type of chemicals having been sprayed.
3. Include complete description of operation problem, such as how pump was used, symptoms of malfunction, etc.

Since pumps can contain residues of toxic chemicals these steps are necessary to protect all the people who handle return shipments, and to help pinpoint the reason for the breakdown.



1228 Chestnut Avenue

Minneapolis, MN 55403

Phone: 1.866-DELAVAN
(335.2826)
or 612.333.3189

Fax: 1.888.726.5906
or 612.333.3231

SprayPower

You Can Depend On.

Website:

www.delavanagpumps.com